

Instructions

Thorvald SC99 Space Copenhagen 2025



Please read these instructions carefully and retain them for future reference to ensure the product is used correctly. For your own safety, please study each step of this instruction manual first. &Tradition is not responsible for any faults or damage caused by not following these instructions correctly. Do not modify this product in any way. If you have any questions or comments, please do not hesitate to contact us by mail on: info@andtradition.com

&Tradition[®]

Thorvald SC99

Space Copenhagen

2025

Safety precautions

- Dispose of plastic bag from packaging and do not allow children to play with it.
- Handle table top with care to avoid scratching the surface.
- Two or more people are required to assemble the table.
- The table is intended for outdoor use.

Contents

- A** Table top
- B** Long leg x 2
- C** Short leg x 2
- D** Stretcher x 2
- E** Leg connector x 4
- F** Glider x 4
- G** Wide head screw x 8
- H** Long screw x 4
- I** Countersunk screw x 18

Cleaning instructions

Powder-coated steel

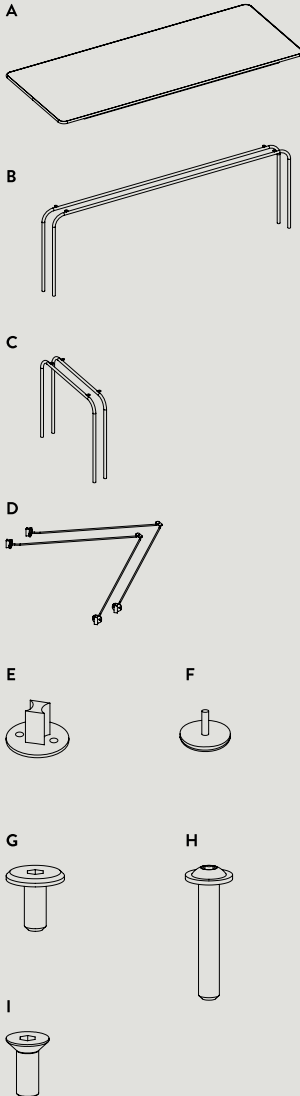
It is recommended to use a soft, dry cloth to clean powder-coated surfaces. In case more thorough cleaning is required, a cloth wrung in lukewarm water can be used. Always dry immediately with a soft, dry cloth after cleaning. Avoid using abrasive products or cleaning agents as this may permanently damage the surface.

Stain removal

For stubborn stains, use a non-abrasive cleaner specifically designed for powder-coated surfaces. Avoid using abrasive scrubbers, steel wool, or harsh chemicals, as they can scratch or damage the powder coating.

Rust prevention

Powder-coated steel is resistant to rust, however, scratches or chips in the coating can expose the metal to moisture and increase the risk of rust formation. We recommend regularly inspecting your furniture for signs of damage and to seal any exposed metal with a touch-up paint or a clear protective coating.



Protective measures

It is recommended to cover your powder-coated furniture with a waterproof cover during harsh weather conditions or when not in use for an extended period of time. This will protect it from excessive exposure to rain, snow, and UV rays, reducing the risk of fading or damage.

If you live in a coastal area, rinse your outdoor furniture regularly with fresh water to remove salt which can be corrosive.

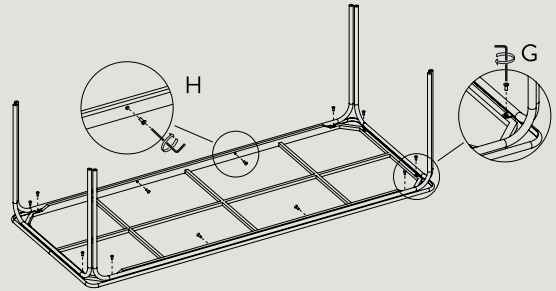
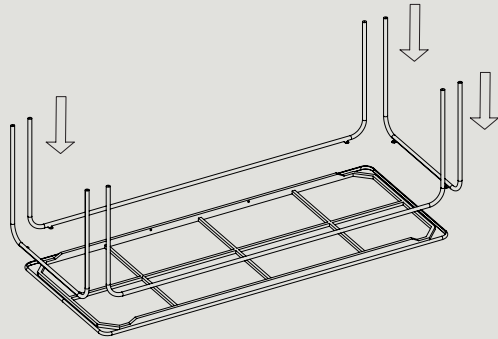
Avoiding scratches

To prevent scratches, avoid dragging or sliding heavy or rough objects across the furniture's surface. Use felt or rubber pads on the bottom of any items that come into contact with the furniture, such as planters or decorative objects, to minimize the risk of scratches.

Step 1 / 3

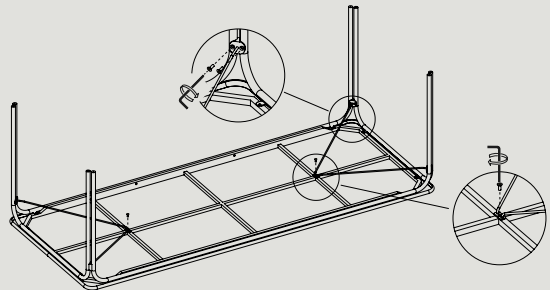
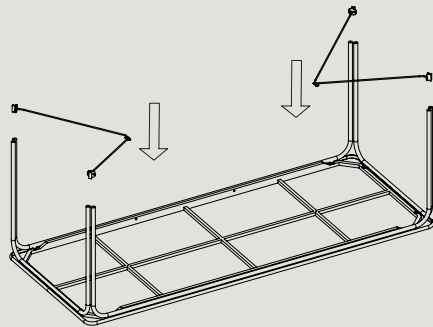
Place the table top (A) upside down on a soft, flat surface. Attach the long legs (B) and short legs (C) and carefully secure them in place using wide head screws (G) in each corner and long screws (H) through the central holes on the either long side of the table top as pictured.

The legs should be handled with care at this stage to avoid any damage.



Step 2 / 3

Insert the stretchers (D) by sliding them down the space in-between where the legs meet in each corner, until the screw holes in the stretchers (D) and legs (B and C) align. Secure loosely with 8 countersunk screws (I) as pictured. Place 2 countersunk screws where the stretchers meet the table top before fastening all screws securely into place.



Step 3 / 3

Finally, slide the leg connectors (E) onto the base of each leg. Secure them in place by inserting a countersunk screw (I) into the outer holes of each connector as pictured.

Next, attach the gliders (F) by screwing them into the central hole on each leg connector (E).

